

# MVSE-510 series

SOLENOID VALVE



## Specification:

Model	MVSE-510-4E1	MVSE-510-4E2
Bore No.	15A	
Port size	PT 1/2	
No. of port	5	
No. of position	2	
Medium	Air	
Operating pressure range	2~7 kgf/cm <sup>2</sup>	
Proof pressure	10 kgf/cm <sup>2</sup>	
Effective orifice	65 mm <sup>2</sup>	
Response time	60 ms	
Ambient temperature	- 5~ + 50°C (No freezing)	
Voltage	AC110V, AC220V (50/60)Hz, DC24V	
Power consumption	AC=13/11VA, DC=10W	
Available voltage range	± 10%	
Insulation class	H class	
Weight	1523 g	1808 g

## Order example of valve:

**MVSE — 510 — 4E2 — AC110 — L — BSP**

MODEL

BODY WIDTH

VOLTAGE

AC220V(50/60)Hz  
AC110V(50/60)Hz  
DC24V

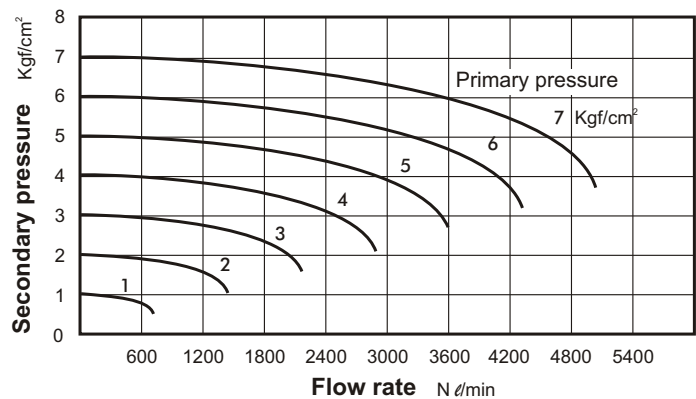
Blank: DIN connector  
L: LED indicator

PORT THREAD  
Blank: PT thread  
BSP: BSP thread  
NPT: NPT thread

4: 4way

E1: Single Solenoid  
E2: Double Solenoid

## Flow features:



# MVSE-510

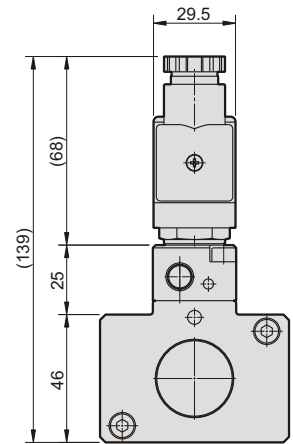
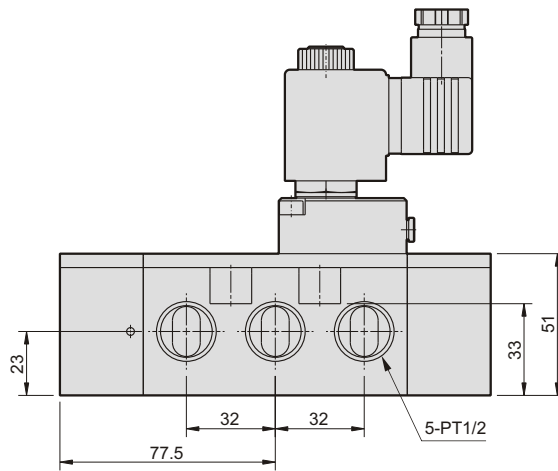
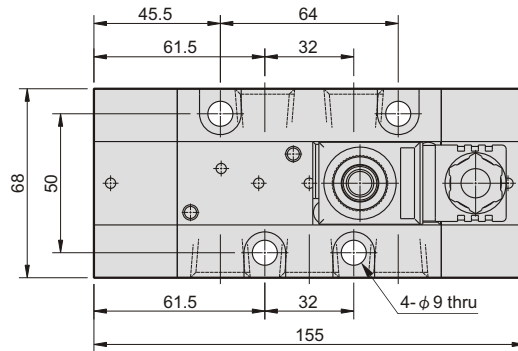
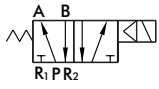
## SOLENOID VALVE



Mindman

### Dimensions:

#### MVSE-510-4E1



#### MVSE-510-4E2

